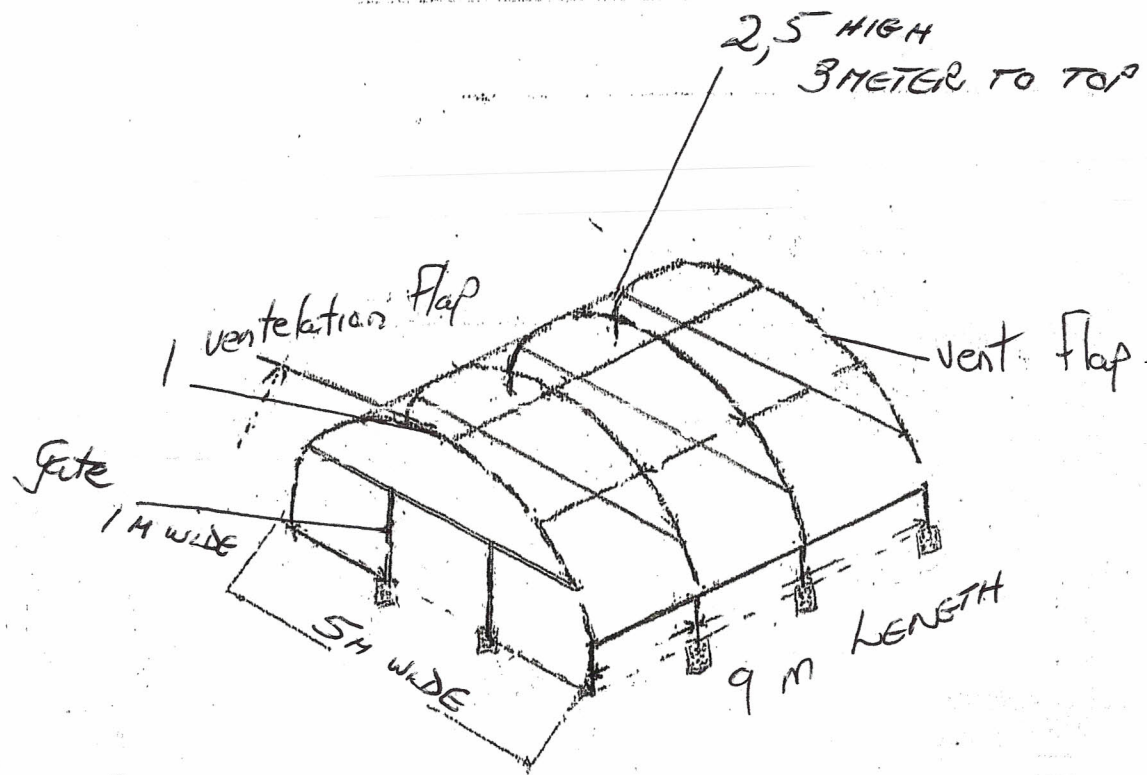


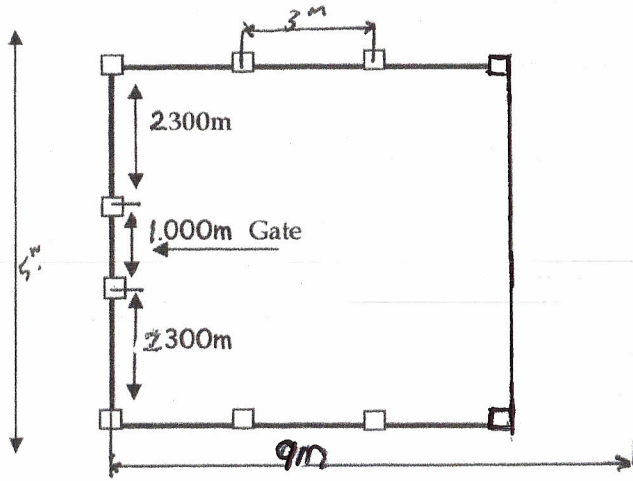
5 METER X 9 METER TUNNEL.



6 BAGS
READY MIX

7/11

Specifications for digging of holes 9 x 5 meter tunnel



River - Sand $\frac{1}{2} m^3$
Stone $\frac{1}{2} m^3$
Cement - 3 bags

OR

Premix - 20 bags.